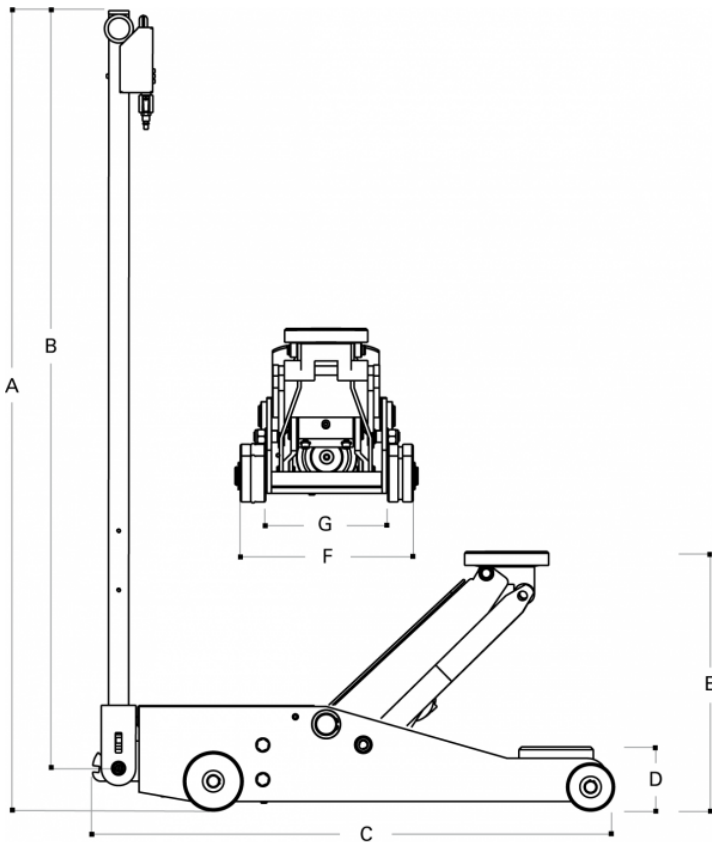


PTJ 5090C Trolley Jack



| | YAK 109/C |
|--|-------------------------|
| Portata Capacity | 5 t 5.5 ton |
| Peso netto Net weight | 75kg 165 lb |
| Pressione di alimentazione Working air pressure | 8-10 bar 116-145 psi |
| Consumo d'aria Air waste | 400 nl/min |
| A | 1400 mm 55.12 in |
| B | 1310 mm 51.57 in |
| C | 890 mm 35.04 in |
| D | 90 mm 3.54 in |
| E | 500 mm 16.69 in |
| F | 320 mm 12.6 in |
| G | 208 mm 8.19 in |
| H | 5 t 5.5 ton |

Technical Specifications -

| | |
|-------------|-----------------|
| Capacity | 5 t 5.5 ton |
| Min. height | 90 mm 3.5 in |

| | |
|----------------------|-------------------------|
| Max. Stroke | 410 mm 16.1 in |
| Net weight | 75 Kg 165 lb |
| Working air pressure | 8-10 bar 116-145 psi |
| Air consumption | 400 nl/min |

Protools is a brand by Agapart S.r.l.
Via Edison 18 - 42049 Sant'Ilario d'Enza - ITALY
Phone: 052 267 9560 - info@garageprotools.com